

Version: 2010-10-25

| PRESSE<br>PRESS | KOPF<br>HEAD    | GESTELL<br>FRAME | max. Presskraft** |       | max. Hub<br>max. stroke | C   | S       | K   | M   | BxT     | L   | Tisch-<br>bohrung<br>Table<br>bore<br>I<br>Ø H7 | Ge-<br>wicht<br>kompl.<br>total<br>weight | Ge-<br>wicht<br>Kopf<br>Head<br>weight | max.<br>Aufbie-<br>gung*<br>max.<br>deflec-<br>tion* | Moy<br>zul.<br>Moment<br>allow.<br>moment | E    | F   | G   | H   | I   | Klemmverschraubung<br>der Pressenköpfe<br>Klemm-<br>schrauben   Anzugs-<br>moment<br>Tightening press heads<br>screw size   torque |      | max. Rück-<br>hubkraft**<br>max. return<br>force** | Luft-<br>Verbrauch<br>Air-<br>consumption |
|-----------------|-----------------|------------------|-------------------|-------|-------------------------|-----|---------|-----|-----|---------|-----|---|---|--|--|---|------|-----|-----|-----|-----|--|------|--|---|
|                 |                 |                  | [kN]              | [lbf] |                         |     |         |     |     |         |     |   |   |  |  |   |      |     |     |     |     | [Nm]   | [kN] |  |   |
| PFS 002.000     | PKS 002.080.000 | PGS 002.000      | 2                 | 450   | 80                      | 90  | 70-125  | 55  | 465 | 110x90  | 260 | 20  | 25  | 12,5                                   | 0,05   | 25  | 9    | 72  | 203 | 76  | 1/4 | M 12   | 45   | 1  | 3,7                                       |
| PFL 004.000     | PKL 004.080.000 | PGL 008.000      | 4                 | 899   | 80                      | 120 | 100-295 | 95  | 674 | 150x125 | 339 | 20  | 50  | 16,9                                   | 0,15   | 25  | 9    | 94  | 263 | 110 | 1/4 | M 12   | 90   | 1  | 6,2                                       |
| PFL 008.000     | PKL 008.080.000 | PGL 008.000      | 8,5               | 1911  | 80                      | 120 | 70-270  | 95  | 674 | 150x125 | 339 | 20  | 46  | 23,2                                   | 0,2  | 25  | 9    | 94  | 263 | 110 | 1/2 | M 12   | 135  | 4  | 15,3                                      |
| PFL 013.000     | PKL 013.080.000 | PGL 025.000      | 13,5              | 2922  | 80                      | 165 | 75-370  | 115 | 800 | 200x180 | 439 | 20  | 96  | 31,6                                   | 0,5  | 25  | 11   | 120 | 330 | 144 | 1/2 | M 12   | 135  | 4  | 20,4                                      |
| PFL 022.001     | PKL 022.080.001 | PGL 025.000      | 22,5              | 5058  | 80                      | 165 | 90-370  | 115 | 800 | 200x180 | 439 | 20  | 116                                       | 49,7                                   | 0,45   | 70  | 11   | 120 | 330 | 144 | 1/2 | M 16   | 340  | 11   | 41,2                                      |
| PFL 033.000     | PKL 033.080.000 | PGL 033.000      | 34,5              | 7756  | 80                      | 200 | 95-380  | 125 | 820 | 240x220 | 534 | 25  | 150                                       | 63,2                                   | 0,45   | 70  | 13,5 | 158 | 405 | 164 | 1/2 | M 16   | 340  | 11   | 48  |
| PFL 056.000     | PKL 056.080.000 | PGL 056.000      | 57,5              | 12926 | 80                      | 240 | 95-385  | 160 | 860 | 260x220 | 614 | 30  | 227                                       | 81,1                                   | 0,85   | 70  | 13,5 | 178 | 487 | 190 | 1/2 | M 20   | 720  | 11   | 72  |
| PFW 004.000     | PKL 004.080.000 | PGW 008.000      | 4                 | 899   | 80                      | 300 | 240-310 | 150 | 745 | 200x200 | 624 | 20  | 107                                       | 16,9                                   | 0,2  | 25  | 13,5 | 145 | 500 | 100 | 1/4 | M 12   | 90   | 1  | 6,2                                       |
| PFW 008.000     | PKL 008.080.000 | PGW 008.000      | 8,5               | 1911  | 80                      | 300 | 210-285 | 150 | 745 | 200x200 | 624 | 20  | 114                                       | 23,2                                   | 0,25   | 25  | 13,5 | 145 | 500 | 100 | 1/2 | M 12   | 135  | 4  | 15,3                                      |
| PFW 013.000     | PKL 013.080.000 | PGW 025.000      | 13                | 2922  | 80                      | 300 | 210-280 | 180 | 775 | 240x230 | 654 | 20  | 177                                       | 31,6                                   | 0,45   | 25  | 13,5 | 145 | 520 | 100 | 1/2 | M 12   | 135  | 4  | 20,4                                      |
| PFW 022.000     | PKL 022.080.000 | PGW 025.000      | 22,5              | 5058  | 80                      | 300 | 225-280 | 180 | 775 | 240x230 | 654 | 20  | 198                                       | 49,7                                   | 0,35   | 70  | 13,5 | 145 | 520 | 100 | 1/2 | M 16   | 340  | 11   | 41,2                                      |
| PFW 033.000     | PKL 033.080.000 | PGW 033.000      | 34,5              | 7756  | 80                      | 300 | 225-300 | 190 | 805 | 300x250 | 674 | 25  | 226                                       | 63,2                                   | 0,35   | 70  | 13,5 | 160 | 530 | 100 | 1/2 | M 16   | 340  | 11   | 48  |
| PFW 056.000     | PKL 056.080.000 | PGW 056.000      | 57,5              | 12926 | 80                      | 355 | 215-295 | 215 | 825 | 300x280 | 789 | 30  | 303                                       | 81,1                                   | 0,65   | 70  | 13,5 | 210 | 625 | 130 | 1/2 | M 20   | 720  | 11   | 72  |

Alle Maße in mm.

\*Pressenkopf in oberster Position

\*\*bei 6 bar Luftdruck (max. Betriebsdruck 6 bar, min. 2,5 bar)

C = Ausladung

S = Arbeitshöhe verstellbar

E = Befestigungsbohrung

I = Anschlussquerschnitt [Zoll]

Hubeinstellung:

0,025mm pro Teilstrich

Conformitätserklärung nur für komplette Maschinen

All dimensions in mm

\*Press head in uppermost position

\*\*at 6 bar air pressure (max. operating pressure 6 bar, min. 2.5 bar)

C = throat depth

S = Open height, adjustable

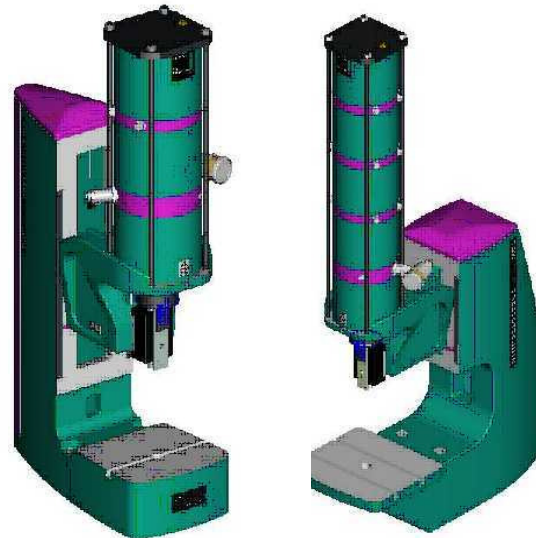
E = Mounting bore

I = Port size (inch)

Stroke adjustment:

0.025 mm per increment

Conformity Declaration only for complete machines

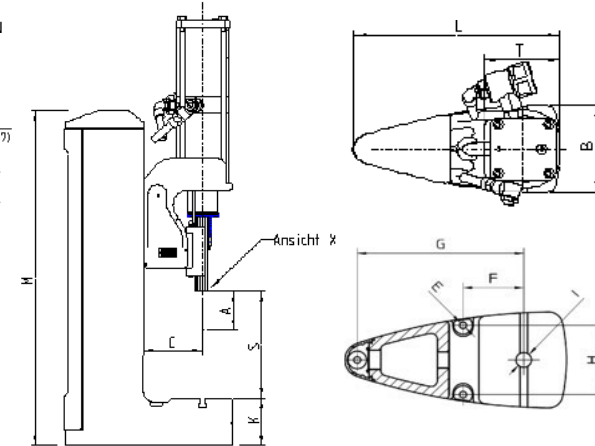
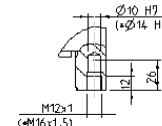


Ansicht X  
\* Pressen > 13,5 kN

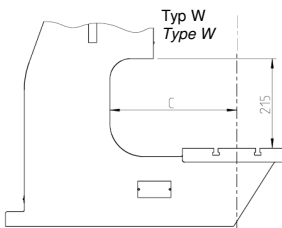
Ansicht X

\*Pressen > 13,5 kN

\*\* Presse 56 kN



Typ W  
Type W



für Gestell W > 8kN zwei T-Nuten.  
Nutabstand 100 mm  
\*\* Presse 56 kN

For frame size W > 8 kN, two T-slots, spaced 100 mm